

- Max Power: 120w
- Input Fuse: 2A(T) – 220v/240v
2A(T) – 100v/120v
- Frequency: 50/60hz
- Input voltage (selectable)

MACHINE DIMENSIONS

- Height: 405mm
- Width: 177mm
- Depth: 223mm
- Net Weight: 11kg

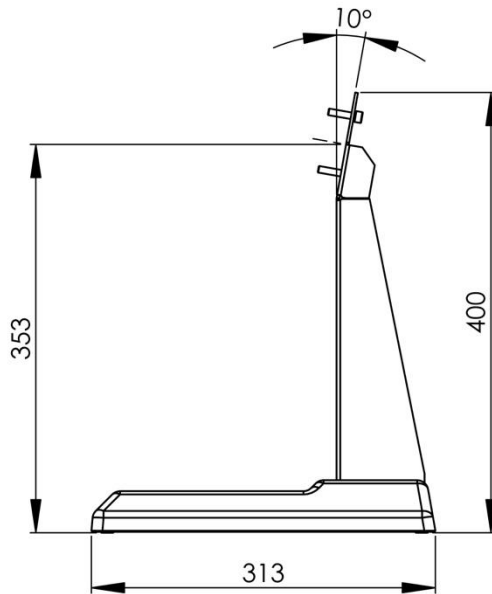
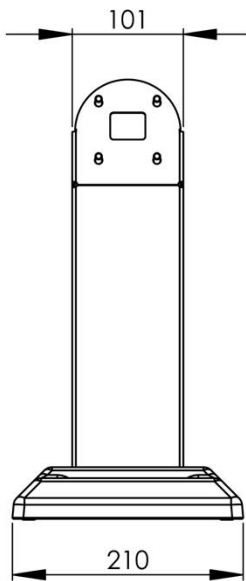
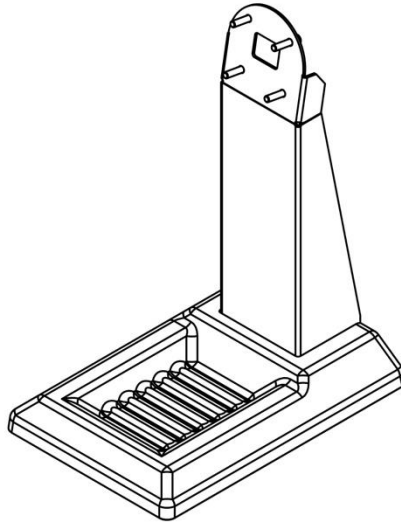
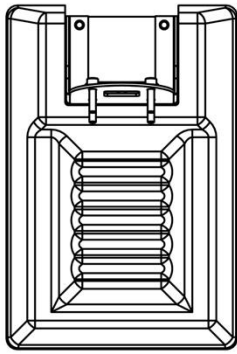
PACKAGING DIMENSIONS

- Height: 500mm
- Width: 200mm
- Depth: 270mm
- Gross Weight: 12kg



COUNTER STAND

Data Sheet



PACKAGING DIMENSIONS

- Height 400mm
- Width 240mm
- Depth 325mm
- Gross Weight 8kg



COUNTER STAND

Data Sheet

MODEL **OS7**ON COUNTER STAND

